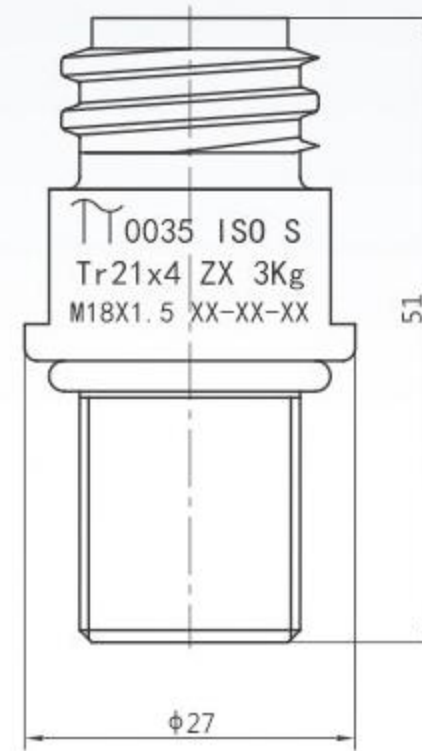


ZX-2S-06 SELF CLOSING VALVE



200111011



Inlet Thread	M18X1.5
Outlet Thread	Otr21x4
Working Pressure	166.6bar
Safety Device	225-250bar
Gas Type	CO2
DN	3
Approval	TPED

Features

- Automated testing process under ISO9001 ensures quality.
- High leak integrity performance through 100% tests.
- Safety relief device is equipped for relieving gas while there is excessive pressure.
- Quick and easy operation due to ergonomic design.
- Heavy-duty forged brass body for durability and high pressure.