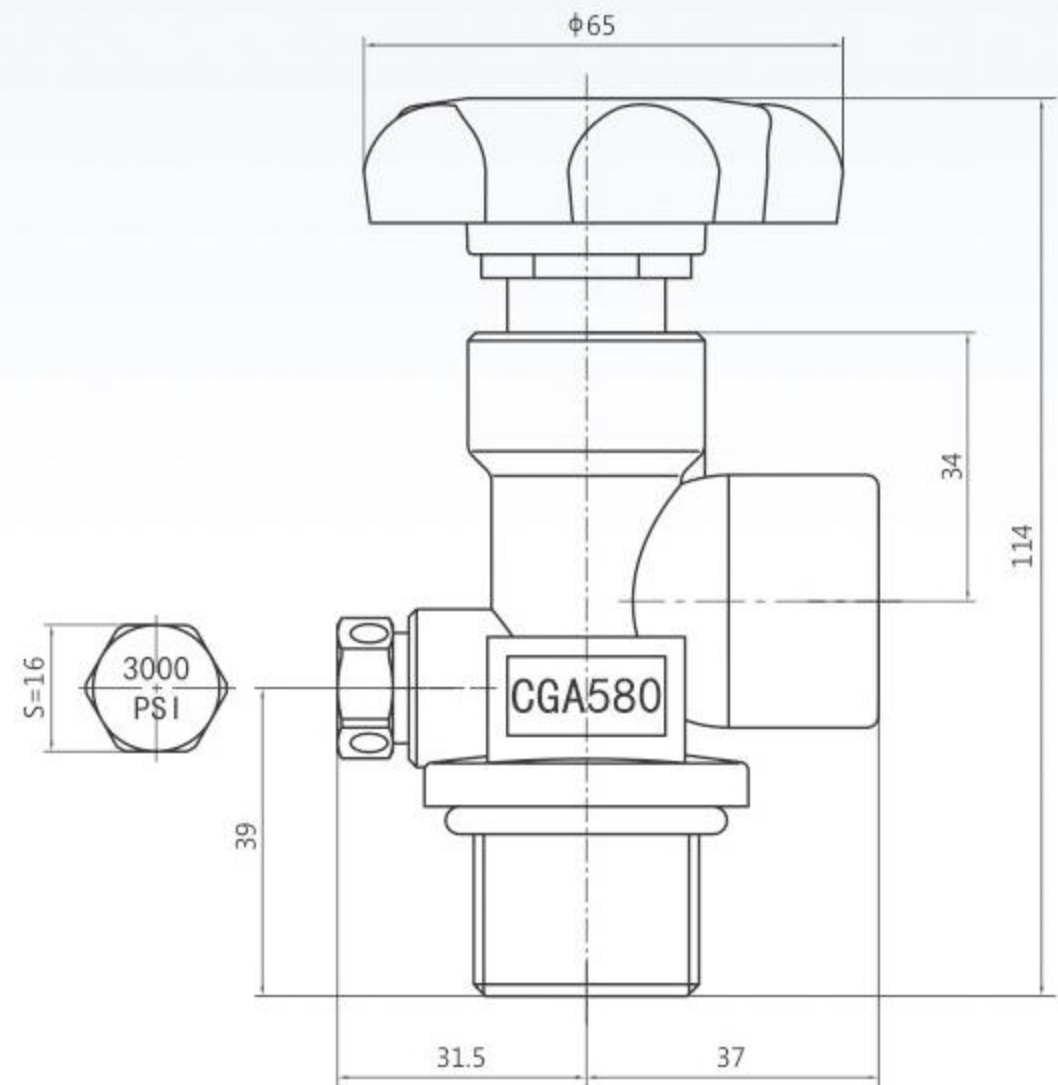




# CGA580 VALVE



200111074



## Features

- Automated testing process under ISO9001 ensures quality.
- High leak integrity performance through 100% tests.
- Positive operation can be achieved by mechanical link of the upper and lower spindle.
- Safety relief device is equipped for relieving gas while there is excessive pressure.
- Quick and easy operation due to ergonomic design.
- Heavy-duty forged brass body for durability and high pressure.

|                         |                           |
|-------------------------|---------------------------|
| <b>Inlet Thread</b>     | 1 1/8-12UNF               |
| <b>Outlet Thread</b>    | CGA580/0.965-14NGO-RH-INT |
| <b>Dip Tube Thread</b>  | 1/2-18UNS                 |
| <b>Working Pressure</b> | 1800PSI                   |
| <b>Safety Device</b>    | 2700PSI-3000PSI           |
| <b>Gas Type</b>         | Ar, He, N2, CO2           |
| <b>DN</b>               | 5                         |